

MODULE 470 MM DEEP
Fronts available with grooves or plain.

DRAWER OR FLAP DOOR 1 x H 340 mm
Inner drawers are available with drawer modules. Hanging modules of 300 mm only available with flap door.

340/340/470 mm 680/340/470 mm 1020/340/470 mm 1360/340/470 mm

DRAWER 2 x H 340 mm
Inner drawers are available with drawer modules.

340/680/470 mm 680/680/470 mm 1020/680/470 mm 1360/680/470 mm

DRAWER 2 x H 170 mm

340/340/470 mm 680/340/470 mm 1020/340/470 mm 1360/340/470 mm

DRAWER 4x H 170 mm

340/680/470 mm 680/680/470 mm 1020/680/470 mm 1360/680/470 mm

DRAWER 3 x H 226 mm

680/680/470 mm

DOOR

340/680/470 mm 680/680/470 mm

GLASS DOOR
With or without vertical lines. In smoked glass by default, clear glass is optional. Glass doors with vertical lines are in clear glass by default.

340/680/470 mm 680/680/470 mm

OPEN MODULE
Powder-coated aluminum. Back of open module available in oak, lacquered oak or powder-coated MDF.

340/340/470 mm 680/340/470 mm 340/680/470 mm

Delivered with plinth, metal sub frame or hanging system for mounting against the wall.

MODULE 300 MM DEEP
Fronts available with grooves or plain.

340/340/300 mm 680/340/300 mm

340/680/300 mm 680/680/300 mm

340/680/300 mm 680/680/300 mm

340/680/300 mm 680/680/300 mm

340/680/300 mm 680/680/300 mm

340/680/300 mm 680/680/300 mm

340/680/300 mm 680/680/300 mm

340/340/300 mm 680/340/300 mm 340/680/300 mm

Delivered with hanging system for mounting against the wall.

AUDIO MODULE 470 MM

FLAP DOOR AUDIO

680/340/470 mm 1020/340/470 mm 1360/340/470 mm

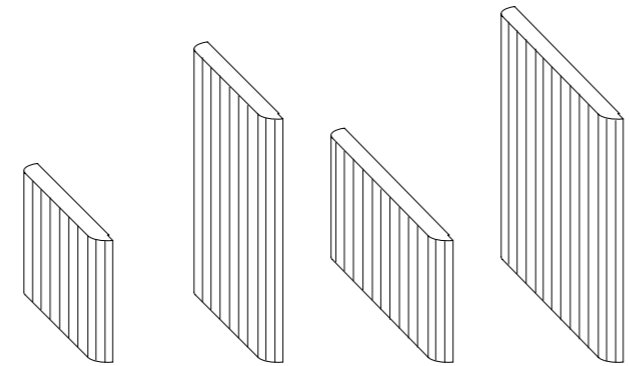
AUDIO SHELF
To use in audio furniture. Height-adjustable.

640/330/19 mm 980/330/19 (55-150) mm 1320/330/19 (55-150) mm

ACCESSORIES: RVS POLE INCL. SUSPENSION BAR AND POWER STRIP
Also available in black lacquer

HEAR THE DIFFERENCE WITH OUR SMART AUDIO SOLUTIONS

SIDE PANELS WITH GROOVES OR PLAIN



Cabinets can be delivered with grooved or plain side panels; 2 x 30mm extra.

COVER PLATE 470 MM

0,5 MODULE	400/16/470 mm
1,5 MODULE	1080/16/470 mm
2,0 MODULE	1420/16/470 mm
2,5 MODULE	1760/16/470 mm
3,0 MODULE	2100/16/470 mm
3,5 MODULE	2440/16/470 mm
4,0 MODULE	2780/16/470 mm
4,5 MODULE	3120/16/470 mm
5,0 MODULE	3460/16/470 mm

COVER PLATE AND BOTTOM 300 MM

0,5 MODULE	400/16/300 mm
1,5 MODULE	1080/16/300 mm
2,0 MODULE	1420/16/300 mm
2,5 MODULE	1760/16/300 mm
3,0 MODULE	2100/16/300 mm
3,5 MODULE	2440/16/300 mm
4,0 MODULE	2780/16/300 mm
4,5 MODULE	3120/16/300 mm
5,0 MODULE	3460/16/300 mm

SUB FRAME 470 MM

0,5 MODULE	400/150/470 mm
1,5 MODULE	1080/150/470 mm
2,0 MODULE	1420/150/470 mm
2,5 MODULE	1760/150/470 mm
3,0 MODULE	2100/150/470 mm
3,5 MODULE	2440/150/470 mm
4,0 MODULE	2780/150/470 mm
4,5 MODULE	3120/150/470 mm
5,0 MODULE	3460/150/470 mm

BOOKSHELF FLAT AND T-MODEL

1100/250/50 mm 1650/250/50 mm

1360/250/250 mm 1360/250/250 mm

STANDARD TABLE

1580/980/770 mm
1780/980/770 mm
1980/980/770 mm
2180/980/770 mm
2380/980/770 mm

EXTENDABLE TABLE

2580/980/770 mm
2780/980/770 mm
2980/980/770 mm

SPIDER TABLE

1780/980/770 mm
1980/980/770 mm
2180/980/770 mm
2380/980/770 mm

COFFEE TABLE

1300/650/352 mm

680/650/352 mm

Coffee table contains 2 drawers, corner table contains one drawer.

CREATE YOUR OWN FURNITURE,, THE POSSIBILITIES ARE UNLIMITED ...

Door fronts, drawer fronts, open modules, sides, tablets, bookshelves, tables and coffee tables are produced in diverse materials. You can find the different finishing options per product type in the table below.

PRODUCT	OAK	LACQUERED OAK	POWDER-COATED MDF	POWDER-COATED METAL	HIGH-PRESSURE LAMINATE
DOOR, DRAWER OR FLAP DOOR: GROOVED	●		●		
DOOR, DRAWER OR FLAP DOOR: PLAIN	●	●	●		
OPEN MODULE				●	
BACK OPEN MODULE	●	●	●		
FLAP DOOR AUDIO				●	
COVER PLATE AND BOTTOM	●	●	●		
SUB FRAME				●	
BOOKSHELF FLAT	●	●			
BOOKSHELF T-MODEL	●	●	●		
TABLE STANDARD/SPIDER TABLE TOP	●	●			●
TABLE STANDARD/SPIDER TABLE CHASSIS	●	●			
EXTENDABLE TABLE TOP	●	●			
COFFEE TABLE BLAD	●	●	●		
COFFEE TABLE SIDE GROOVED	●		●		
COFFEE TABLE SIDE PLAIN	●	●	●		
COFFEE TABLE SUB FRAME				●	



WOOD GROOVED



WOOD PLAIN



POWDER COATED GROOVED



POWDER COATED PLAIN



GLASS GROOVED



GLASS PLAIN

Collection RON is available in a **diverse tint selection of oak and lacquered oak**. A finish in **powder-coated MDF in eight different colours is also possible**. Powder coating is extremely scratch-resistant, environmentally friendly and anti-bacterial, has a long life span and guarantees a seamless and homogenous finish. Table tops are available in **six tints of high-pressure laminate and eight tints of oak and lacquered oak**. The high-quality laminate is extremely stain- and scratch-resistant, very sustainable and maintenance-friendly. The possibility to combine different colours and materials not only gives each piece of furniture an authentic character, but also allows for creating surprising and original combinations.

OAK	WHITE WASH	NATURE	DOLOMITE	NUT	CHESTNUT	CHOCOLATE BROWN		
LACQUERED OAK	WHITE	SOFT GREY	TAUPE	TERRA	BRICK RED	BASALT	DARK BROWN	BLACK
POWDER COATED MDF	WHITE	SOFT GREY	TAUPE	TERRA	BRICK RED	BASALT	DARK BROWN	BLACK
HIGH PRESSURE LAMINATE	WHITE	SOFT GREY	TAUPE			BASALT	DARK BROWN	BLACK



CONFIGURE YOUR FURNITURE AT A POINT OF SALE

To make it very visual, we developed a configuration software with **Furnplan** to **assemble and visualize the furniture** of your dreams. **Each point of sales has trained people who are happy to help you!**